

## Arc Metal Spray Equipment OC350 – OC1



The OC350 is a compact and powerful arc metal spray equipment that is specialized in all applications in the field of corrosion protection with zinc and aluminum spray wires.

The power source with its transformer-rectifier system is designed with its characteristics specific to the arc metal spraying. By generously dimensioned power components, a continuous spray operation with 100% duty cycle is ensured. By means of convection, sufficient cooling of the power source is ensured and metal dust contamination is reduced to a minimum.

The OC350 is equipped with a PLC control system, which monitors all spray parameters and therefore allows reproducible coatings. Occurring malfunctions are indicated by signal lamp codes on the panel of the power source and shown in detail on the PLC display. The power source is equipped with safety devices, which switch the equipment in case of overload, overheating or pressure drop automatically in a safe operating condition.

With the compact design of the OC350 together with the large castors and fixed castors, easy maneuvering of the power source is ensured even under tough conditions on construction sites.

The newly developed DC power connectors from OSUCAS offer a low-loss power transmission with minimum heat generation at the terminals due to their large contact surface.

The OSUCAS modular component system allows configuring OC350 specifically to your requirements. Typical configuration features are the length of the cable and hose set (up to 20 m with push-pull wire feed), the choice of the spray device and the mode of operation (hand-held, automated spraying or switchable version).

The standard configuration consists of the following components:

- Power source OC350 including on-board feed gear WF4
- Hand spray device OC1 with closed nozzle system for Zn, ZnAl wire 2,5 mm
- Cable and hose set 10 m
- Optional: Wire dispenser or drum hood cover with wire dispenser

## Power source OC350

including on-board feed gear WF4



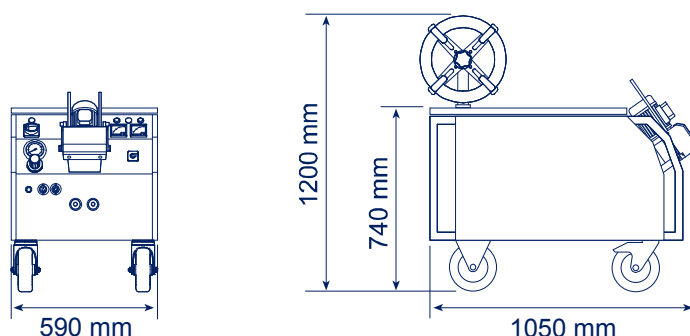
**The power source with maximum spray current of 350 A (at 100% duty cycle) is convincing with**

- its compact and robust construction
- the easy handling with good readable indicators
- the clear layout of control elements on the angled panel
- big castors and fixed castors which guarantee easy maneuverability even on the rough terrain of construction sites
- optimized power connectors for high energy efficiency
- the configuration with the feed gear WF4, which ensures together with the proven rubber roller system, a continuous, trouble-free wire feed

Alternative to the standard feed gear WF4 with rubber roller system, the new **feed gear OC-Speed** with friction clutch principle, offers a further improved wire feeding.

This newly developed gear allows an absolute trouble-free wire feeding even over long distances. In the processing of zinc wire, the wire feeding of up to 20 meters is no problem. Furthermore, the processing of "rough-running wires" is possible with this gear, too.

## Specifications of power source OC350



### Electrical data

Mains voltage <sup>1</sup>	3 x 400 V AC
Mains voltage tolerance	±5 %
Mains frequency	50/60 Hz
Connection current	< 23 A
Main fuse	32 A
Connection power	< 15 kVA
Spray current max. (at 100 % ED)	350 A DC
Open-circuit voltage	26 – 39 V DC
Spray voltage	22 – 34 V DC

### Spray wires and deposition rates

Spray wire quality	DIN EN ISO 14919	
Spray wire diameter	2,5 mm (other diameter on request)	
Authorized spray wires and deposition rates (at 350 A)	Zn	35,0 kg/h
	ZnAl	31,0 kg/h
	Al	10,5 kg/h
	AlMg	9,8 kg/h

<sup>1</sup> Power sources for different mains voltage are available on request

### Compressed air supply

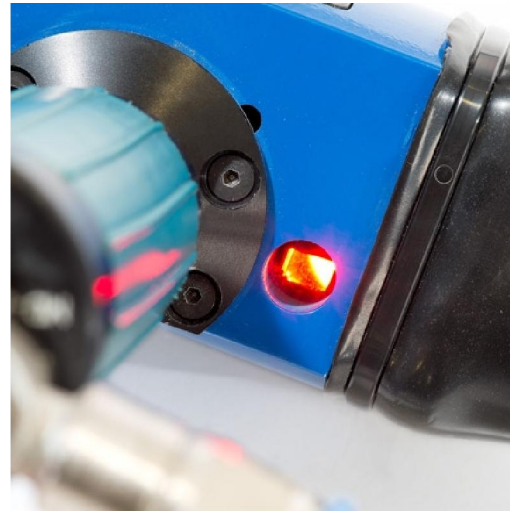
Required compressed air quality	DIN ISO 8573-1 class 1
Compressed air temperature	Re-cooled to at least 25 °C
Nominal width of comp. air ring line	25 mm (1 inch)
Nominal width of compressed air hose (Connection power source)	25 mm (1 inch)
Connection type	Bayonet coupling
Inlet pressure max.	10 bar
Consumption compressed air	
• Air motor	25 m <sup>3</sup> /h
• Atomizer air	60-100 m <sup>3</sup> /h

### Miscellaneous data

Weight	200 kg
Protection class	IP 21
Cooling	Convection
Mark of conformity	CE

## Hand spray device OC1

with reflection light scanner for dead man's control



The spray device OC1 with the closed nozzle system is specialized in the processing of corrosion protection wires. The special geometry of the nozzle system components allows a very fine atomization of the melt particles, whereby a correspondingly fine coating with low surface roughness is achieved. This provides a significant savings potential of paint for subsequent topcoats.

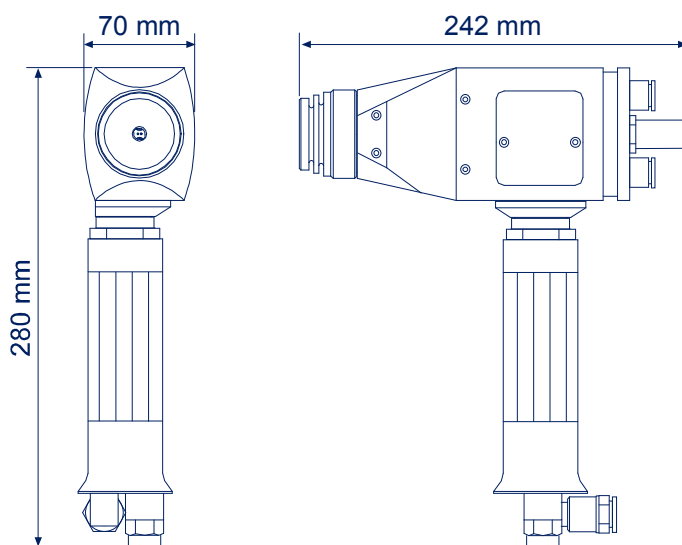
The integrated wire feed in the spray device allows in combination with the wire feed gear on the power source the use of hose packages up to a length of 20 m.

The newly developed DC power connectors from OSUCAS offer a low-loss power transmission with minimal heat generation and improved conductivity. Hereby the energy stays where it should be – in the spray process.

### Features of spray device OC1

- Housing made from fiber-reinforced material for a long service life
- Compact design and light weight
- Modern and easy handling (i.a. by the use of dead man's control with reflection light scanner)
- Optimized power connectors for high energy efficiency
- Connection possibility to (almost) all OSU power sources
- Reduced demand of wear parts due to a wire feed gear directly driven by air motor

## Specifications of spray device OC1



### Spray wires and deposition rates

Spray wire quality	DIN EN ISO 14919
Spray wire diameter	2,5 mm (other diameter on request)

### Compressed air supply

Required compressed air quality	DIN ISO 8573-1 class 1
Compressed air temperature	Re-cooled to at least 25 °C

### Consumption compressed air

• Air motor	25 m <sup>3</sup> /h
• Atomizer air	60-100 m <sup>3</sup> /h

### Miscellaneous data

Weight	2,4 kg (without cable and hose set)
Power air motor	320 W



## Optional accessories

### Wire dispenser

for processing wires from spools

The wire dispenser is mounted directly on the power source, which allows the mobile use, e.g. on construction sites. Our new multi-purpose wire dispenser gives you the flexibility of using wires from all available spool types (hasp, mig reel and basket spools).

With just a few simple steps, you convert this wire dispenser to the spool type of your choice within no time.



### Drum hood cover with wire dispenser

for processing wires from drums

The drum hood cover protects the wire in the drum against dust and other contamination. The wire dispenser is mounted directly on the hood cover.

The drum hood cover is made from robust, transparent material, which gives you a view on the wire inside the drum at any time. An access opening with rubber tab allows the easy threading of the wire.

The drum hood cover is available for drum diameter 505 mm and 574 mm.

