

Power source OC600



The power source with its transformer-rectifier system is designed with its characteristics specific to the arc metal spraying. With its enormous power it is ideal for coating large areas within a short time. By generously dimensioned power components, a continuous spray operation with 100% duty cycle is ensured. By means of convection, sufficient cooling of the power source is ensured and metal dust contamination is reduced to a minimum.

The OC600 is equipped with a PLC control system, which monitors all spray parameters and therefore allows reproducible coatings. Occurring malfunctions are indicated by signal lamp codes on the panel of the power source and shown in detail on the PLC display. The power source is equipped with safety devices, which switch the equipment in case of overload, overheating or pressure drop automatically in a safe operating condition.

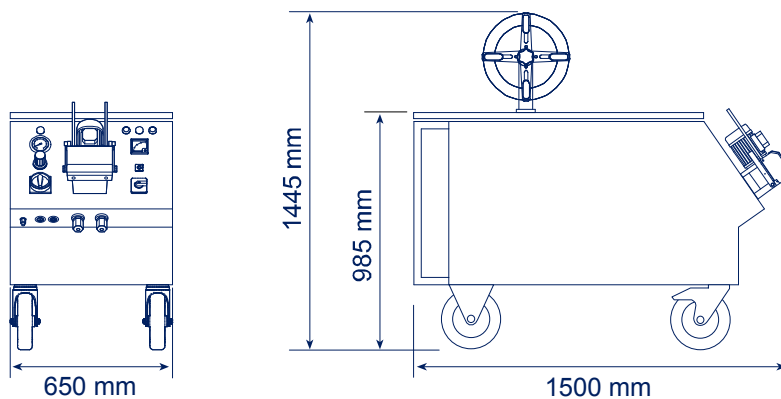
With the compact design of the OC600 together with the large castors and fixed castors, easy maneuvering of the power source is ensured even under tough conditions on construction sites.

The newly developed DC power connectors from OSUCAS offer a low-loss power transmission with minimum heat generation at the terminals due to their large contact surface.

The power source with maximum spray current of 600 A (at 100% duty cycle) is convincing with

- its enormous power
- its compact and robust construction
- the easy handling with good readable indicators
- the clear layout of control elements on the angled panel
- big castors and fixed castors which guarantee easy maneuverability even on the rough terrain of construction sites
- optimized power connectors for high energy efficiency
- the configuration with the feed gear WF4, which ensures together with the proven rubber roller system, a continuous, trouble-free wire feed

Specifications of power source OC600



Electrical data

Mains voltage ¹	3 x 400 V AC
Mains voltage tolerance	±5 %
Mains frequency	50/60 Hz
Connection current	< 34,6 A
Main fuse	63 A
Connection power	< 24 kVA
Spray current max. (at 100 % ED)	600 A DC
Open-circuit voltage	26 – 39 V DC
Spray voltage	22 – 34 V DC

¹ Power sources for different mains voltage are available on request

Spray wires and deposition rates

Spray wire quality	DIN EN ISO 14919								
Spray wire diameter	2,5 mm (other diameter on request)								
Authorized spray wires and deposition rates (at 600 A)	<table> <tr> <td>Zn</td> <td>60 kg/h</td> </tr> <tr> <td>ZnAl</td> <td>53 kg/h</td> </tr> <tr> <td>Al</td> <td>18 kg/h</td> </tr> <tr> <td>AlMg</td> <td>16 kg/h</td> </tr> </table>	Zn	60 kg/h	ZnAl	53 kg/h	Al	18 kg/h	AlMg	16 kg/h
Zn	60 kg/h								
ZnAl	53 kg/h								
Al	18 kg/h								
AlMg	16 kg/h								

Compressed air supply

Required compressed air quality	DIN ISO 8573-1 class 1
Compressed air temperature	Re-cooled to at least 25 °C
Nominal width of comp. air ring line	25 mm (1 inch)
Nominal width of compressed air hose (Connection power source)	25 mm (1 inch)
Connection type	Bayonet coupling
Inlet pressure max.	10 bar
Consumption compressed air	
• Air motor	25 m ³ /h
• Atomizer air	60-100 m ³ /h

Miscellaneous data

Weight	410 kg
Protection class	IP 21
Cooling	Convection
Mark of conformity	CE